

Remote Display Panel RDP100 for Cleanrooms



an integrated display are difficult to use and not ideal for data viewing and collection. The Vaisala Remote Display Panel RDP100 is connected to the measuring instrument with a cable. The display can then be installed in the most convenient location, such as on a wall – making data easier to read.

Thin Front Panel is Easy to Clean

Cleanroom equipment and instruments need to generate minimal contamination and be easy to clean. The RDP100's recessed design and very thin front panel (8 mm) minimize the surface area and amount of cleaning needed. The instrument's smooth surface does not have any holes or grooves, making it easier to keep clean and free of contamination. In addition, the front panel is made of stainless steel and glass, both of which have excellent resistance to the most commonly used detergents and disinfectants, as well as hydrogen peroxide decontamination.

Fast and Easy Installation and Setup

Remote displays can be difficult to install in the desired location due to complex wiring or wall structures. The display may also need a power supply, meaning additional wiring and changes in, for example, cleanroom wall structures. When the RDP100 is used together with a Vaisala HMDW110 series transmitter, the power is provided by the transmitter to the display with a single cable. This allows for quick and easy installation in various locations, as additional wiring to a power supply is not needed.

The RDP100 remote display, in combination with the HMD112 transmitter, is an excellent choice for measuring temperature and humidity in cleanrooms.

Features/Benefits:

- Displays one or two selected environmental parameters
- Recessed, slim design without holes and grooves makes the device easy to clean – ideal for cleanrooms
- Front panel materials are resistant to most commonly used cleaning agents
- Easy to install and configure without special tools
- Digital data communication from sensor – no calibration needed for the display
- Compatible with the following Vaisala instruments: HMDW110 series transmitters, HMP60/63/110/113, DMT132, DMT143, DPT146, DMT152, and MMT162

The Vaisala Remote Display Panel RDP100 is a digital display that shows one or two selected environmental measurement parameters. The display can be used in combination with several Vaisala humidity, temperature, dew-point, pressure, and moisture-in-oil instruments. It can be easily installed in selected locations, allowing easy review of measurement data wherever it is most needed. The thin front panel and chemically-resistant materials make it ideal for use in demanding environments such as cleanrooms.

Measurement Data Always Visible

Measuring instruments are commonly installed in locations where data is difficult to read, such as ventilation ducts or confined spaces. Instruments equipped with

A maximum of two measurement parameters can be displayed, depending on the sensors used. Selecting parameters is fast and easy using a DIP switch, with no special tools or PC needed for setup.

Calibration Free

The measurement data is digitally transmitted by the sensor to the display, meaning the display itself never

needs removing for calibration. This is especially advantageous in a cleanroom, where any changes in wall mounting may cause a risk of contamination. In addition, since the signal of the transmitter is generic, measurement instruments are fully interchangeable and can be rotated for calibration, allowing gap-free measurement during calibration periods.

Technical Data

Display

Type	LCD monochrome (128x64)
Displayed measurements	One or two simultaneously
Selection of quantities and units	Via DIP switches

Mechanics

Materials	
Cover	Stainless steel AISI304
Display window	Glass
Display window adhesive	Acrylic foam AFTC5046
Mounting box	Polypropylene
Weight	125 g

Inputs and Outputs

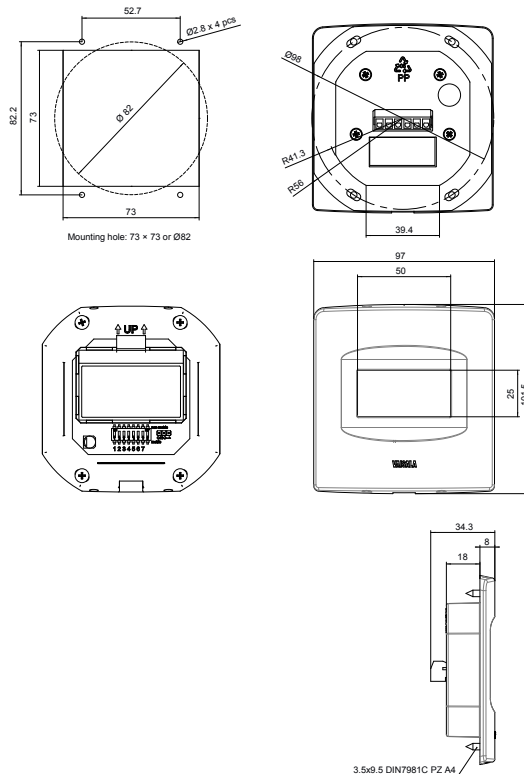
Supply voltage	External power supply 12...28 VDC or supplied by HMD110/112, HMW110/112, HMS110/112
Current consumption	1 mA typical
Data input	RS485, Vaisala proprietary protocol
Supported transmitters	HMD110/112, HMW110/112, HMS110/112, HMP60/63, HMP110/113, DMT132/143/152, DPT145/146, MMT162
Connector	
Type	Screw terminals
Max wire size	1.5 mm ² (AWG 16)
Output voltage	Can supply regulated power for HMP60/63/110/112 from external power supply Power for DMT132/143/152, DPT145/146, and MMT162 can pass through the RDP100

Operating Environment

Operating temperature range	+10 ... +40 °C
Operating humidity range	0 ... 95 %RH
Storage temperature	-40 ... +60 °C
Electromagnetic compliance	EN61326-1, Industrial Environment

Dimensions

Dimensions in mm



VAISALA

www.vaisala.com

Please contact us at
www.vaisala.com/requestinfo



Scan the code for more information

Ref. B211361EN-A ©Vaisala 2013
 This material is subject to copyright protection, with all copyrights retained by Vaisala and its individual partners. All rights reserved. Any logos and/or product names are trademarks of Vaisala or its individual partners. The reproduction, transfer, distribution or storage of information contained in this brochure in any form without the prior written consent of Vaisala is strictly prohibited. All specifications — technical included — are subject to change without notice.

